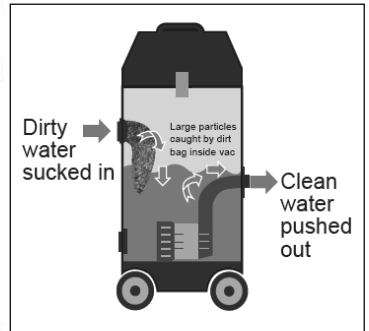


pondXpert
PondMaster Non-Stop 3 Pond Vacuum

**Outdoor Pond Vacuum with
Pressurised Pump Discharge Outlet**

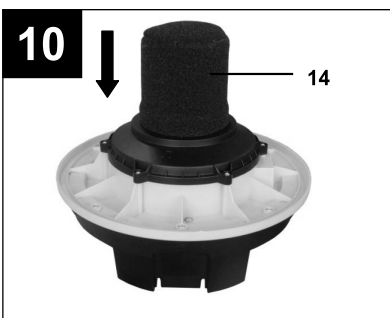
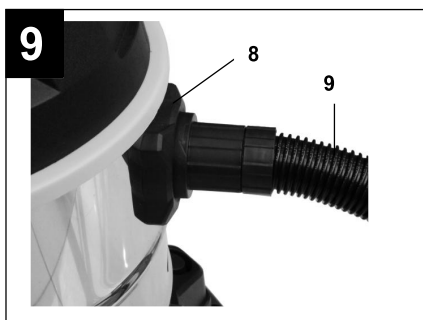
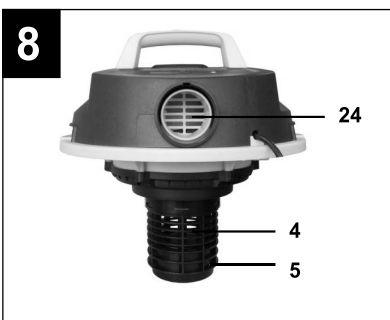
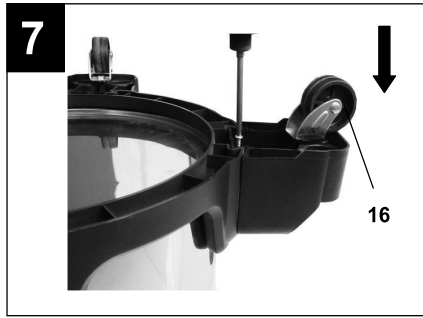
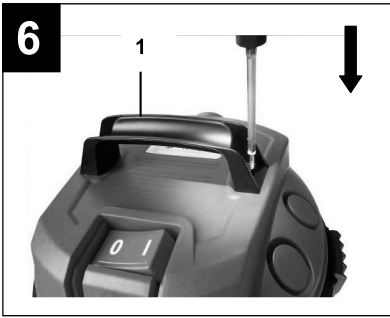
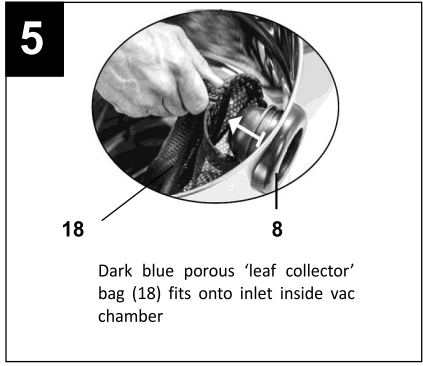
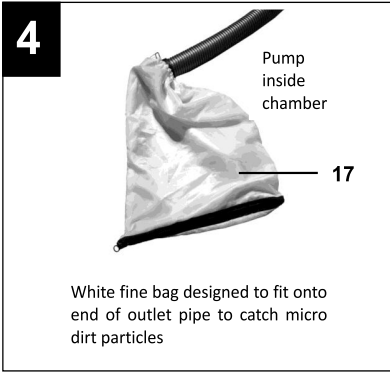
PXVACMASTER-NS3

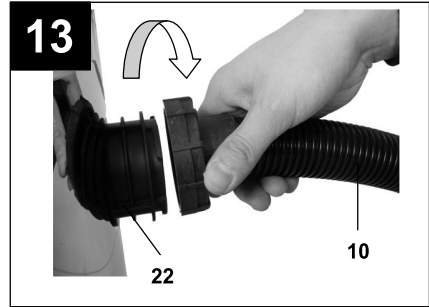
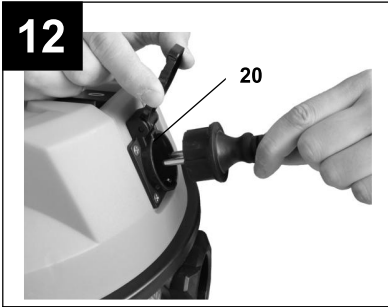


**UK
CA CE**

This Book Contains Important Information Regarding: SAFETY, ASSEMBLY, OPERATION, MAINTENANCE and WARRANTY POLICY. Please read and keep this book safe.

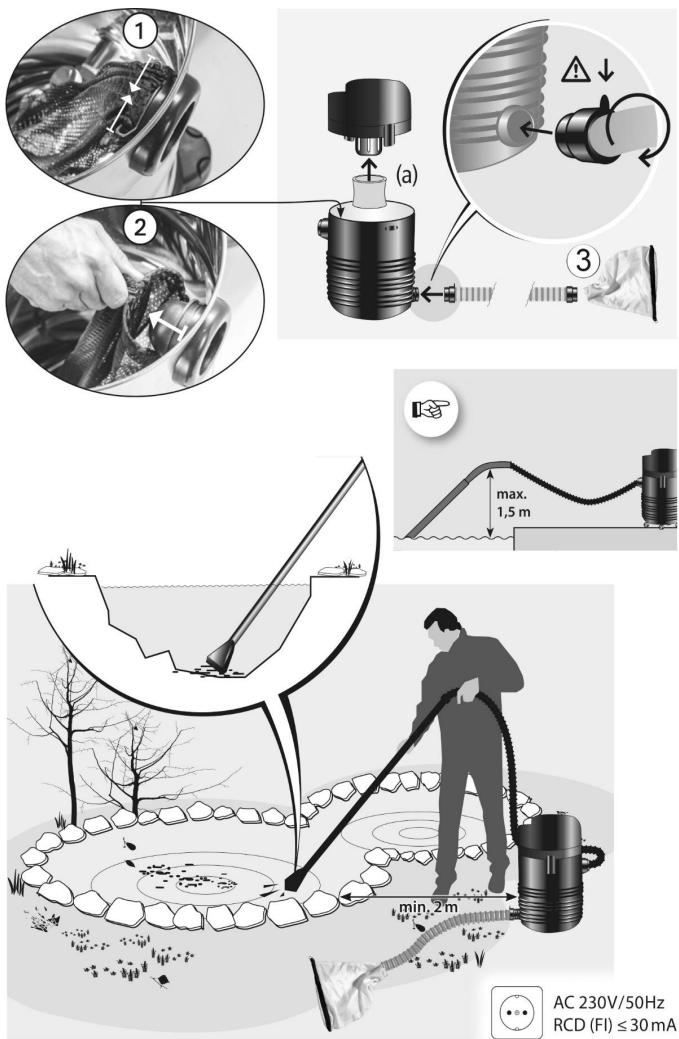
1**2****3**





1	Handle
2	ON/OFF switch
3	Motor head. 1200 watts, rated voltage: 230V~50Hz, cable length 4.0 metres
4	Filter cage
5	Safety float valve
6	Lid Locking clips
7	Main body collection tank, 35 litre capacity
8	Suction hose plug-in connector entry hole
9	Suction hose. Dia 35mm /4.0 metres long
10	Discharge hose. Dia 35mm /2.0 metres long
11	Suction tube extensions (4 pieces), each 48.5cm long, 2 pieces are transparent
12	Universal nozzle for ponds, liquids, carpets and garden debris
13	Pond cleaning nozzle for general use (2-10mm) removes mud without taking in gravel.
14	Filter sponge for motor
15	Wheels base
16	Wheels *4
17	Discharge Bag(white) for catching smaller particles
18	Dark blue dirt collecting bag to attach to hose inlet (inside chamber to catch leaves)
19	Crevice nozzle specially designed for cleaning gaps and edges
20	3 pin socket to connect internal discharge pump to shared power source
21	Pump cable
22	Pump discharge hole
23	Drain cap
24	Blow connector
25	Pump max flow 12000L/H, 500W, Max head 6m

26	Push bar
27	Push bar mount



Foam Collar(14) must be attached to unit head as shown above (a)

- 1 & 2 Porous dirt bag(dark blue) can be used to catch leaves & large particles. It should be fixed inside chamber, around dirt water inlet as show,
- 3 Discharge bag(white) can be used by clipping onto end of outlet pipe – helps to collect finer dirt particles.

Thank you for purchasing this pond vacuum cleaner, a high-quality product based on the newest state-of-the-art technology. The vacuum cleaner is suitable for use in garden ponds, but can also be used to empty large amounts of water quickly – eg, hot-tubs. Please read the following instructions carefully and thoroughly. **Failure to comply with these requirements could cause serious injury and may result in product damage or failure.**



Important!

1. Safety Warnings

- The power supply must correspond to the product specification. If necessary, ask for information from your local electricity supplier regarding connection regulations. Do not connect the device if these do not meet the mentioned regulations (the voltage specification must match the operating voltage).
- The device must be connected to a 30mA RCD (Residual Current Device) for prevent the possibility of electric shock and to comply with Europe safety standards. Further information is available from your local electricity specialist.
- The device must be fully assembled before use.
- Packing parts may be dangerous (eg. plastic bags). Therefore, store away from children, domestic animals and anyone incapable of understanding the dangers. This device is not a toy.
- When cleaning a pond, the device should be positioned with a clearance of 2 meters from the water's edge.
- Never leave the device unattended.
- Never carry or pull the device by the power cable.
- Do not pull the device behind you by the hose during operation.
- Do not cut off the plug and do not shorten the cable. Your guarantee becomes invalid if this is not observed.
- When using outdoors, ensure that the plug and socket are completely dry.
- Never touch the plug with wet hands.
- When the device is switched on, do not hold the suction nozzle close to sensitive body parts like eyes, ears or mouth.
- Before emptying the vessel, switch off the device and remove the plug from the RCD.
- Always switch off the vacuum cleaner and pull out the plug before cleaning the device.

Do not immerse the motor head (3) into water for cleaning purposes or clean with a water jet.

- This device is suitable for sucking water with a maximum temperature of 35 degrees.
- Replacement of the electric cable is not possible. The device must not be operated in the case of a defective electric cable or housing.
- Do not suck up flammable, explosive, poisonous or health hazardous materials with the device.
- We take no responsibility for any damage to persons and objects, caused by incorrect use of the device or by not observing these operating instructions.

2. Prior to 1st Time Use

- Please read the operating instruction thoroughly.
- Remove all the accessories and packages from the box and inside the main body collection tank (7).
- Check before and after use that the switch(2) is in OFF (0) position.
- Always use the device with the correct filter insert suitable for the relevant application, i.e. filter sponge (14) for wet usage.
- Insert the push bar (26) into the push bar mounts (27) of the tank as shown in Fig.3.
- Fix the handle (1) by two screws supplied.(Fig. 6)
- Fit the wheels (16) on wheel base(15) in accordance with Fig. 7.

3. Motor switch operating mode

Switch position 0	Motor off
Switch position I pond	Motor on

4. Pond Cleaning

Please proceed as follows when using the device for pond cleaning:

- Position the device at a safety clearance of 2 meters away from the water's edge.
- Attach the dark blue porous bag (18) to the hose inlet inside vac chamber.(Fig. 5)
- Screw the discharge hose (10) securely onto the water discharge hole on the back middle of the collection tank (7)(Fig. 13). Attach the white dirt collecting bag (17) to the end of the discharge hose and place in such a way that the water can easily flow back into your pond or down a drain or to a suitable location in the garden.(Fig. 4) Coarse dirt will be collected in the dirt collection bag (17). Depending on the degree of dirt, the dirt collecting bag (17) should be emptied at regular intervals whilst cleaning the pond, and emptied and cleaned at the end of each use.
- Open the two locking clips (6) on the side of the collection tank (7) and remove the motor head (3). Fit the filter sponge (14) over the filter cage (4). Place the motor head back onto the collection tank, make sure that the locking clips (6) lock into place correctly, with the electrical cable positioned on the opposite side to the suction hose plug-in connector

hole (8).

- Push the plug-in connector on the suction hose (9) into the connection hole (8) on the top of the collection tank and lock the connection by a half turn to the right.(Fig. 9)
- Connect the required number of suction tube extensions (11) to the suction hose (9) and attach the suction nozzle (12) to the end of the suction tube extensions (11).
- Plug in the 3-pin plug connected to the discharge pump to the 3-pin socket (20) located in the motor-head/lid of the product.(Fig. 12)
- Once the above has been completed, plug the device into the RCD. Place the lance into the part of the pond/water first, then to start the motor, push the on/off switch to position I 'ON' to make cleaning.
- The motor and internal pump switch on and you can begin sucking up dirty water.
- The device will operate on until switched to the OFF position (0). Always remove the plug from the RCD when the device is not in use.
- Dirt and water should be thoroughly removed from the collection tank (7) at the end of each use.



Important!

Before switching on, attach the dark blue porous bag to the hose inlet inside vac tank, fit the foam filter over the filter cage, connect the pump plug with vac socket. Do not turn power on until inlet hose is submerged in water. Connect hose, tube and suction nozzle together, immerse suction nozzle into water, then switch on the vac. During operation, if suction rate drops then switch power off then turn it on again after 10 seconds.

Remark

Please connect pump plug with 3-pin socket (20) before pond cleaning. If not, the floating safety switch (5) closes when the maximum tank level is reached. In doing so, the suction noise of the equipment will change and become louder.

5. Blowing

Disconnect pump plug from 3-pin socket (20) first, then connect the suction hose (9) to the blow connector (24).

6. Water drain screw (Fig. 1/23)

To make the tank (7) easier to empty after pond cleaning, it is fitted with a water drain screw (23). Open the water drain screw (23) by turning it anticlockwise and drain the liquid.

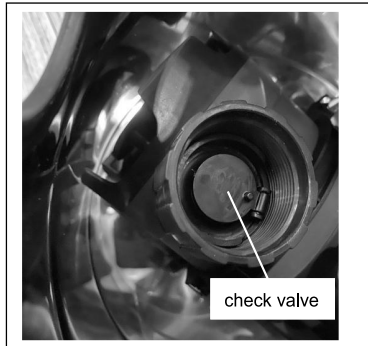
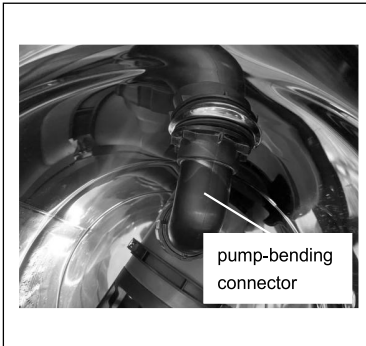
7. Maintenance and cleaning



Important!

Always ensure that the device is unplugged from the RCD before attempting any maintenance or cleaning.

- The vacuum cleaner requires little maintenance other than cleaning.
- Thoroughly clean the collection tank (7) and dirt collecting bags (17, 18) with water and mild household detergent.
- Check suction hose (9), suction tube extensions (11) and drain hose (10) occasionally for possible blocking or dirt residues and clean when necessary.
- Carefully wash the filter sponge for the motor (14) with water and mild household detergent. Dry for storage.
- When storing, ensure all parts are completely dry and store in a dry, frost free area which is inaccessible to children.
- Clean the check valve
 1. Remove the pump discharge hole (22) by anti-clockwise direction.
 2. Remove the pump-bending connector by anti-clockwise direction.
 3. Find the check valve to see if there is something or mud inside, if so, clean it.



8. GUARANTEE

This product is guaranteed for a period of 36 months from the date of purchase for material or manufacturing defects. The guarantee covers the substitution of defective parts. However, the guarantee is considered null and void in the case of improper use, improper handling or negligence on the part of the buyer. If your pondXpert vacuum fails please take it back to the retail outlet from where it was purchased. You will be required to take your receipt/proof of purchase with you. This does not affect your statutory rights.

9. Correct Disposal of this product



■

Your appliance contains valuable materials which can be recovered or recycled.
Leave it at a local civic waste collection point.

PondXpert
A3 Bentley Avenue
Billingham
TS23 4BU
UK
01642 370898
www.pondxpert.co.uk

